



# **XM913**

50mm Bushmaster®  
Chain Gun®

Northrop Grumman's Medium caliber cannons boast unrivaled reliability and effectiveness. When paired with our exceptional training services, certified accessories, and OEM warranties, Northrop Grumman delivers best-in-class value and a guarantee of optimal performance. No matter what your mission critical objectives are; combat, peacekeeping, or training; we offer the necessary services to maintain your weapons systems at a fully mission capable rating and the ability to consistently sustain and optimize your fleet.

## **Guns Segment Market**

The Gun Systems Market Segment exists to meet the ever changing demands of the warfighter through innovation in technology, program execution, lifecycle cost, and product delivery. The guns team is committed to becoming the undeniable global leader in medium caliber gun systems support, an agile competitor and respected worldwide as a preeminently responsive partner.

## **Facts At A Glance**

Fires 50mm x 228mm ammunition

Reliability, safety, low life cycle costs

Dual feed system, available in linkless ammunition feed system

Easily integrated into fixed based or turret combat platforms

## Automatic Cannon

The XM913 Bushmaster® Chain Gun® automatic cannon is an evolution of the Mk44S and Bush III cannons, optimized to provide unparalleled versatility and operational overmatch. The XM913 has increased lethality, accuracy and range for stationary and fire on the move capability with turret integration while maintaining reliability, safety and low life cycle costs. It also incorporates many of the battle-proven features of the M242, Mk44S and XM813 Bushmaster® Cannons®, with system commonality for low-risk, proven performance.

## Advanced Design

Semi closed bolt firing mode

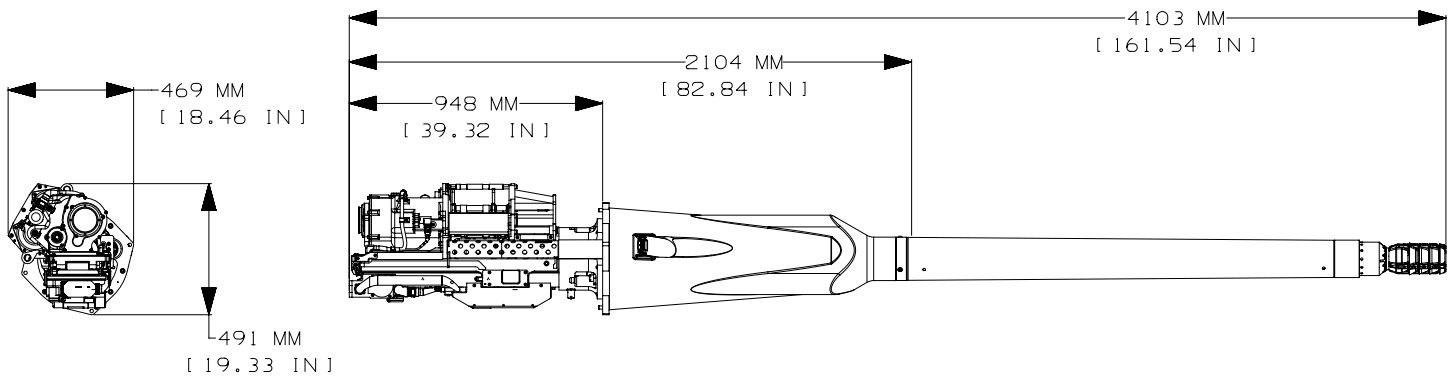
First round select

Remote safe actuator available– providing the ability to switch weapon between fire and safe remotely

High power brushless motor and drive system

Digital controls with active feedback

Integral mount / triple recoil system



### Characteristics

Recoil

### Imperial

24,000 lb

### Metric

106,800 N

Weight

Receiver

311 lb

141 kg

Feeder

88 lb

40 kg

Barrel

287 lb

130 kg

Total

692 lb

314 kg

Power Requirement

3.5 hp @ 270 & 28 VDC

Rate of Fire

Single Shot, Burst, Full Automatic @ 200 SPM

Clearing Method

Open bolt or Closed Bolt

Safety

Absolute Anti-Hangfire Safety

Case Ejection

Forward